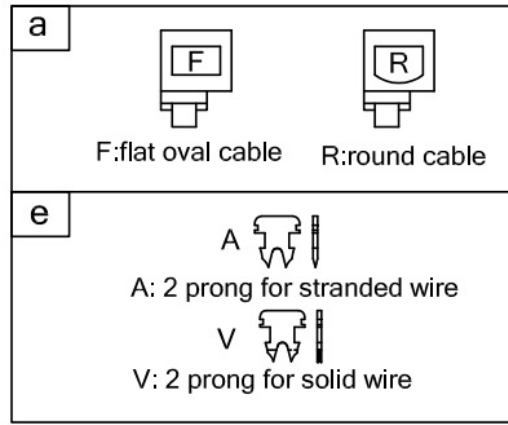


	A
6P4C	5.20
6P6C	7.10

MATERIAL & FINISH

Body: PC. UL94V-2, clean
 Contact: copper alloy with gold plated.



RoHS compliant

Rev.	Description	Date	Approved	Drawing	Name	Date
				Approved	Howard	10/16/12
				Checked	Lizzy	10/16/12
				Drawn	Tina	10/16/12
				0.0 ± 0.35	0.00 ± 0.20	Angles ± 3'
				UNIT: mm		

Central Components Manufacturing
 440 Lincoln Blvd., Middlesex, New Jersey 08846
 Phone 732 469-5720 888 288-5152 Fax 732 469-1919

Part No.: **CTP-100DEC-6P6C-P1-F-A**

Description: Modified (Keyed) RJ12 female connector