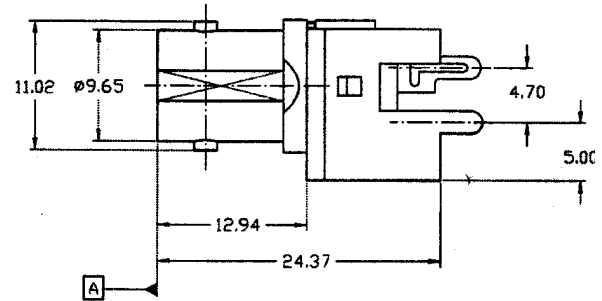
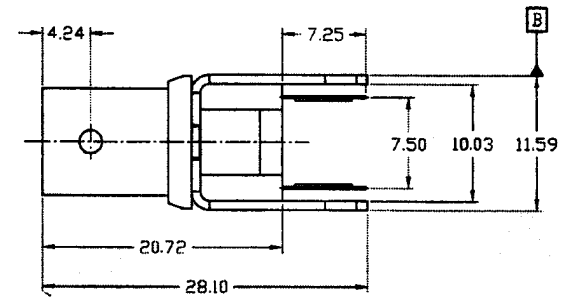
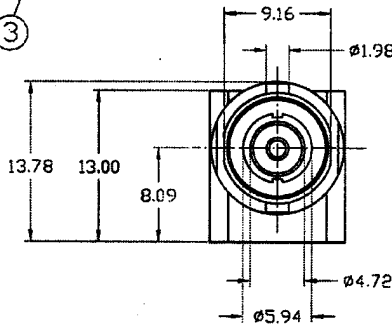
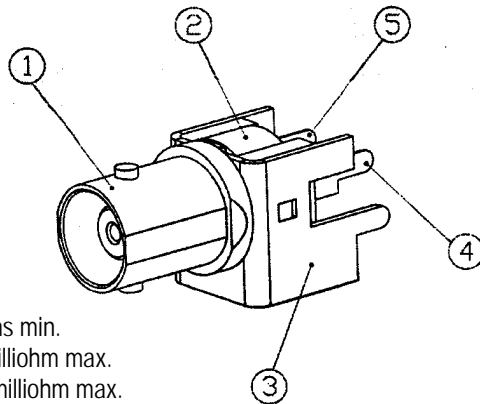
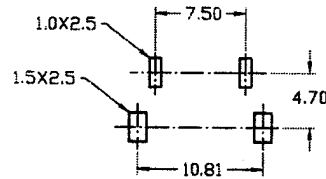
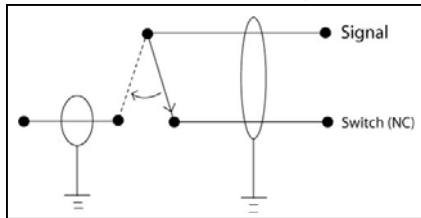


SPECIFICATIONS

Impedance: 50 ohm
 Withstanding: 1500VRMS
 Insulation resistance: 50 megohms min.
 Contact resistance: Outer 10 milliohm max.
 Center 30 milliohm max.
 VSWR: 1.2 max.
 Contact pressure: 100g. min.
 Terminal strength: 500g
 Connector strength: 2,000g
 Durability: 2,000 cycles min.
 Operating temperature: -40°C to +70°C



Schematic



RECOMMEND P.C.B. LAYOUT

Item	Name	Material	Finish
1	Body	Zinc	Nickel
2	Housing	PBT	
3	Shell	Steel	Nickel
4	Switching Contact	Brass	Tin
5	Signal Contact	Brass	Tin

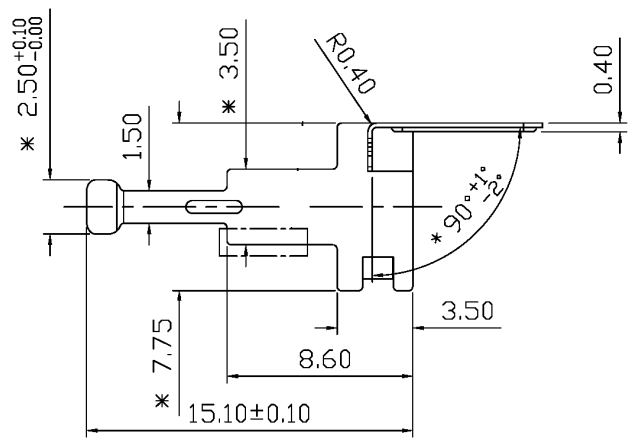
RoHS compliant

Rev.	Description	Date	Approved	Drawing	Name	Date
				Approved	Howard	05/10/02
				Checked	Lizzy	05/10/02
				Drawn	Tina	05/10/02
				0.0 ± 0.35	0.00 ± 0.20	Angles ± 3'
				UNIT: mm		

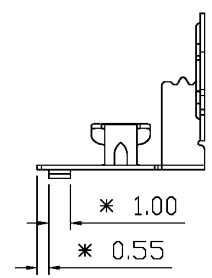
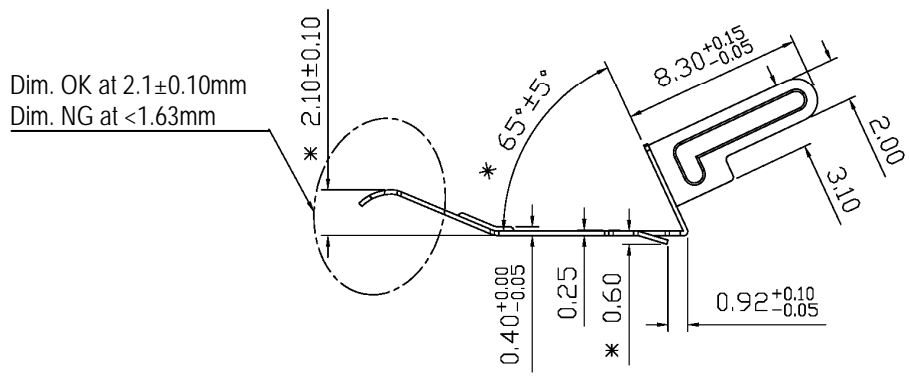
Central Components Manufacturing
 440 Lincoln Blvd., Middlesex, New Jersey 08846
 Phone 732 469-5720 888 288-5152 Fax 732 469-1919

Part No.: **CRF-BNC-331-0065-9-A**

Description: Switching BNC connector, vertical PCB mount



SPECIFICATIONS
 Contact material: Phosphor bronze
 Contact plating: 80-100µ" silver



RoHS compliant

Rev.	Description	Date	Approved	Drawing	Name	Date
				Approved	Howard	05/10/02
				Checked	Lizzy	05/10/02
				Drawn	Tina	05/10/02
				0.0 ± 0.35	0.00 ± 0.20	Angles ± 3'
						UNIT: mm

Central Components Manufacturing
 440 Lincoln Blvd., Middlesex, New Jersey 08846
 Phone 732 469-5720 888 288-5152 Fax 732 469-1919

Part No.: **CRF-BNC-331-0065-9-A**

Description: Switching BNC connector, vertical PCB mount